
Yale UX Series

Seated Electric Tow Tractor

MT60UX / 6000KG



www.yale.com.au

Yale[®] 
People. Products. Productivity.™

MT60UX

The Yale® seated electric tow tractor MT60UX demonstrates intelligent ergonomics, reliable technology and energy efficient features to facilitate operational needs. The low-maintenance design promotes increased productivity and helps reduce operational costs.

▶ Productivity

- High-power drive motor
- Impressive pulling performance
- Seamless travel and manoeuvrability
- 3 operation modes available
- Ergonomic layout
- Adjustable seat and steering column
- Rear multi-position tow coupling
- Maintenance free AC motor
- Multi-function LCD dash display

▶ Serviceability

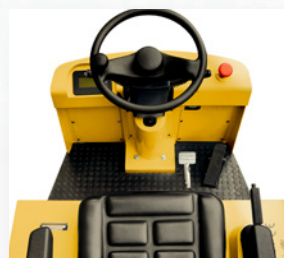
- Easy access for fast and efficient servicing
- Simple, readily available components
- CANbus technology reduces wiring complexity
- Built-in diagnostics, accessible via the dash display
- Computer-based diagnostics not required

▶ Safety & Structural Design

- Operator Presence System (OPS)
- Non-slip, uncluttered floor plate
- Drive axle design and low centre of gravity enables excellent stability
- Emergency stop button
- Low noise level
- High quality, robust components
- Seatbelt

▶ Optional Features

- Power steering
- Automatic electro-magnetic parking brake
- Seatbelt reminder system
- Semi-closed cabin
- Mirrors
- Non-marking tyres
- Blue Light and Strobe Light
- Keyless key switch (password)

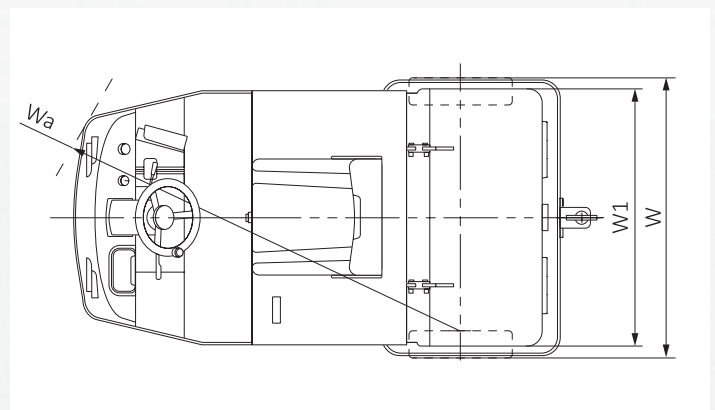
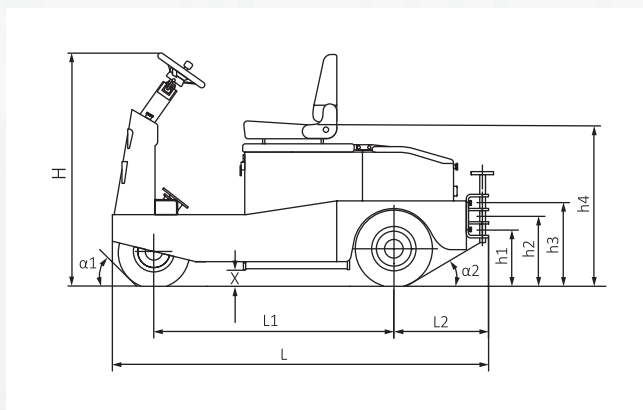


Ergonomic Operator
Compartment



Easy Service Access
via Back Cover

Model	Measurement	MT60UX
Power Type		48-Volt
Operator Type		Seated
Rated Capacity	kg	6000
Drawbar Pull, 60min rating	N	1500
Max Drawbar Pull, 5min rating	N	6000
Wheelbase	L1 (mm)	1280
Rear Load Distance	L2 (mm)	500
Service Weight	kg	1360
Axle Loading, unladen front / rear	kg	450 / 910
Front, Tyre size / type (No. of Wheels)		15x4.5 Solid (1)
Rear, Tyre size / type (No. of Wheels)		4.00-8 Solid (2)
Wheel Tread, front	mm	n/a
Wheel Tread, rear	W1 (mm)	946
Seat Height / STD	h4 (mm)	910
Coupling Height	h1 / h2 / h3 (mm)	295 / 370 / 440
Overall Length	L (mm)	1995
Overall Width	W (mm)	1100
Overall Height (excluding cab)	H (mm)	1280
Approach Angle	$\alpha 1$ (°)	≥ 45
Departure Angle	$\alpha 2$ (°)	≥ 40
Min Ground Clearance	X (mm)	90
Turning Radius	Wa (mm)	1650
Travel Speed, unladen	km/h	14.5
Travel Speed, laden	km/h	8
Gradeability, laden / unladen	%	7 / 15
Service Brake / Parking Brake		Hydraulic / Manual
Drive Control		AC
Drive Motor Rating *S2 60 min	kW	5.6
Steering Motor Rating *S2 5 min (Option)	kW	0.6
Battery Ampere Hours	Ah	400
Battery Weight	kg	680
Sound level at the drivers ear according to EN / DIN 12 053	dB (A)	<68



Yale® Dealers

Contact your nearest
Yale® Dealership by visiting
www.yale.com.au



Contact your local Yale® Dealer

Yale Pacific

1 Bullecourt Avenue, Milperra NSW, Australia 2214

Tel: +61 (2) 9795 3800 | Fax: +61 (2) 9792 8484

yale.com/pacific/en-au


Yale Asia

16 Tuas Avenue 20, Singapore 638827

Tel: +65 6863 3387 | Fax: +65 6863 3349

yale.com/asia/en-sg

Yale, and PEOPLE. PRODUCTS. PRODUCTIVITY are trademarks of Hyster-Yale Group, Inc.

 is a registered copyright of Hyster-Yale Group, Inc.

©Yale Asia Pacific 2020. All rights reserved. Specifications and details in this brochure are subject to change without prior notification.

www.yale.com.au



Manufactured in our own ISO 9001 and 14001 Registered Facilities

Trucks may be shown with optional equipment.

Yale® 
People. Products. Productivity.™