

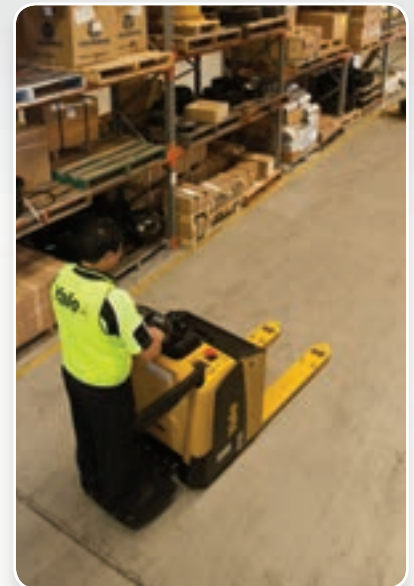
MP20AP

Platform Pallet Truck | 2000kg



Mechanical Specifications

Characteristics	MANUFACTURER		YALE									
	Model designation		MP20AP									
	Wheelbase type		Single Load Wheels						Tandem Load Wheels			
	Fork length	mm	1125			1173			1171			
	Outside fork width	mm	520	560	670	520	560	670	520	560	670	
Dimensions	1.3	Power: battery, diesel, LPG, electric mains	Battery			Battery			Battery			
	1.4	Operation: manual, pedestrian, stand, seat, orderpicker	Pedestrian/Stand			Pedestrian/Stand			Pedestrian/Stand			
	1.5	Load capacity	Q (kg)	2000			2000			2000		
	1.6	Load centre	c (mm)	600			600			600		
	1.7	Load distance, centre of drive axle to fork	x (mm)	893			942			896		
	1.8	Wheelbase	y (mm)	1303			1352			1304		
Weights	2.1	Unladen weight (with battery)	kg	728			730			730		
	3.1	Tyres: rubber, polyurethane, Vulkollan front/rear		Poly/Poly			Poly/Poly			Poly/Poly		
Wheels & Tyres	3.2	Tyre size, front		Ø 230x75			Ø 230x75			Ø 230x75		
	3.3	Tyre size, rear		Ø 85x110			Ø 85x110			Ø 85x110		
	3.4	Additional wheels (dimensions)		Ø 125x50			Ø 125x50			Ø 125x50		
	3.5	Wheels, number front/rear (x = driven)		1x + 2/2			1x + 2/2			1x + 2/4		
	3.6	Track width, front	b ₁₀ (mm)	473			473			473		
	3.7	Track width, rear	b ₁₁ (mm)	350	390	500	350	390	500	350	390	500
	Dimensions	4.15	Lowered height	h ₁₃ (mm)	83			83			83	
4.19		Overall length (Pedestrian/Stand)	l ₁ (mm)	1796/2241			1844/2289			1842/2287		
4.2		Length to face of forks (Pedestrian/Stand)	l ₂ (mm)	671/1116			671/1116			671/1116		
4.21		Overall width	b ₁ /b ₂ (mm)	712			712			712		
4.22		Fork dimensions	s/e/l (mm)	64	170	1125	64	170	1173	64	170	1171
4.25		Outside fork width	b ⁵ (mm)	520	560	670	520	560	670	520	560	670
4.32		Ground clearance centre of wheelbase	m ₂ (mm)	21			21			21		
4.33		Aisle width with pallets 1000x1200mm wide (Pedestrian/Stand)	Ast (mm)	1879/2317			N/A			N/A		
4.34		Aisle width with pallets 800x1200mm long (Pedestrian/Stand)	Ast (mm)	N/A			2077/2515			2079/2517		
4.35		Turning radius (Pedestrian/Stand)	W ₃ (mm)	1572/2010			1619/2057			1572/2010		
4.4		Lift height	h ₃ (mm)	130			130			130		
4.9	Height of tiller arm in drive position min/max	h ₁₄ (mm)	1219	1459		1219	1459		1219	1459		
Performance	5.1	Travel speed with/without load (Pedestrian/Stand)	km/h	6/6	8/8		6/6	8/8		6/6	8/8	
	5.2	Lift speed with/without load	m/s	0.04	0.05		0.04	0.05		0.04	0.05	
	5.3	Lowering speed with/without load	m/s	0.09	0.04		0.09	0.04		0.09	0.04	
	5.8	Max gradeability with/without load	%	14.5	20		14.5	20		14.5	20	
	5.10	Service brake		Electric			Electric			Electric		
Motor	6.1	Drive motor, S2 60 minute rating	kW	1.4			1.4			1.4		
	6.2	Lifting motor, S3 15% rating	kW	1.2			1.2			1.2		
	6.3	Battery DIN 43531/35/36 A, B, C, no		B			B			B		
	6.4	Battery voltage/capacity at 5 hour rate	V/Ah	24/230	24/330		24/230	24/330		24/230	24/330	
	6.5	Battery weight +/-5%	kg	212/288			212/288			212/288		
	6.6	Energy consumption according to VDI cycle	kWh/h	0.43			0.43			0.43		
Other	8.1	Drive control		AC			AC			AC		
	8.4	Sound level at the driver's ear according to DIN 12 053	dB(A)	<70			<70			<70		



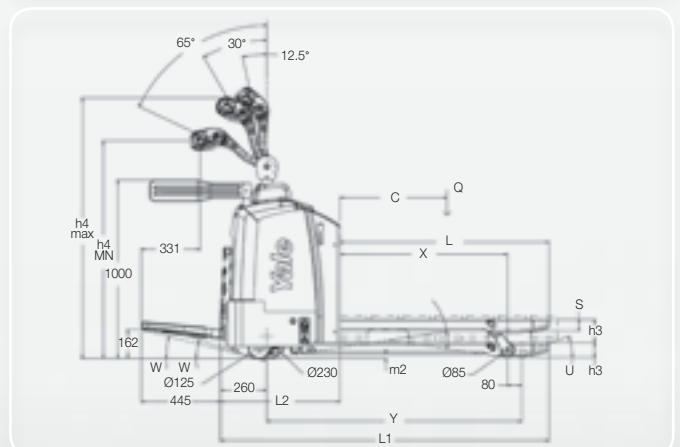
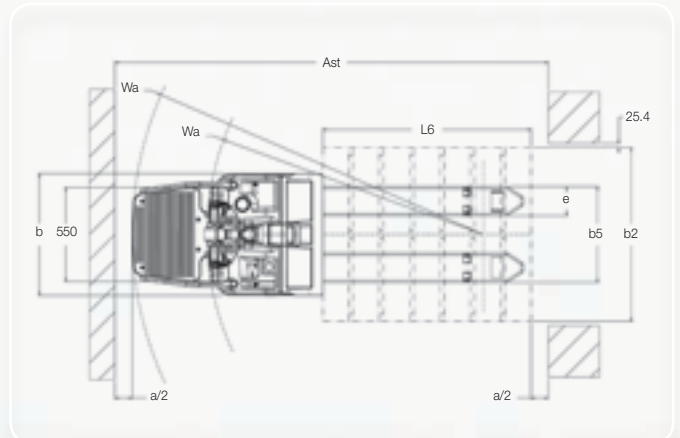
Standard Features & Options

Standard

- Single Load Wheels
- 24 Volt
- AC Traction Control
- 1125mm Long Forks (Australia only)
- 1173mm Long Forks
- Battery Compartment 218mm
 - Battery Size LxWxH (212x624x627)
- 670mm Fork Spread
- Lift Motor Time-Out at Full Height
- Operating Temperatures: 0 to 49°C
- Flush Pallet Stop
- Electromagnetic Park Brake with Service Override
- Regenerative Braking
- Mold-On Polyurethane Drive Tyre (Ø 230x75)
- Adjustable Casters (Ø 125x40)
- Impact-Resistant, Ergonomically Designed, Mid-Mount Control Handle with Cushioned Return Spring
- Direction Reversing Switch
- Creep Speed "Turtle" Button
- Three User Selectable Performance Modes
- Hour Meter and Battery Discharge Indicator with Lift Interrupt

Options

- Tandem Load Wheels with 1171mm Fork Lengths
- Fork Spread
 - 520mm Fork Spread
 - 560mm Fork Spread
- Vulkollan Load Wheel
- Load Backrest
 - 1219mm H
 - 1524mm H
- Battery Compartment 290mm



Yale® Dealers

Contact your nearest
Yale® Dealership by visiting
www.yale.com



Contact your local Yale® Dealer



Safety. This truck conforms to the current EU requirements. Specification is subject to change without notice.



Yale Asia Pacific

Address: 1 Bullecourt Ave, Milperra NSW 2214

Phone: (02) 9795 3800 | Fax: (02) 9795 3801

www.yale.com

Yale is a registered trademark. *People. Products. Productivity.* is a trademark in the United States and certain other jurisdictions.  is a registered copyright of Yale Materials Handling Corporation. © Yale Asia Pacific 2013. All rights reserved. Printed in Australia.

Specifications and details in this brochure are subject to change without prior notification.

www.yale.com



/Yaleasiapacific



@Yale_AP

Yale
People. Products. Productivity.™